

ROOF LANTERNS & ROOFLIGHTS

Let the light in



eurocell

Make the most of the *natural light*

Create your dream extended living space with our rooflights and lanterns.

SKYPOD LANTERN ROOFS	4
SKYPOD PLUS LANTERN ROOFS	8
LUMA FLAT ROOFLIGHTS	16

Maximize the potential of your room with the addition of a lantern roof or rooflight from Eurocell.

Featuring clean lines, modern aesthetics, and unimpeded views, our precision crafted Luma and Skypod options boast a variety of frame and glass selections, accompanied by a reassuring 10-year guarantee.

Whether you're looking to flood your space with natural light, or seamlessly blend indoor and outdoor living, Skypod and Luma offer unparalleled solutions.

Join us on a journey to discover how these exceptional products can unlock the full potential of your home, creating spaces that reflect your lifestyle and adds value to your home.



skypod
LANTERN ROOFS



*aspirational
living spaces*

Go large to create an impressive feature on your flat roof – maximising the natural light in your room

Make your home

a star

Imagine creating a stylish new living space that's flooded with natural light. Imagine an inspiring contemporary design feature that will not only enhance your lifestyle but add value to your home too. Some would call it the 'wow' factor. We call it Skypod – an innovative pitched lantern roof range that's been created for today's style-conscious homeowner.

The Eurocell Skypod pitched lantern roof system enables you to create an eye-catching, contemporary feature that floods the interior of a property with natural

light. It brings life and freshness to uninspiring flat-roofed buildings, and makes a stunning alternative to conventional conservatory roofs.

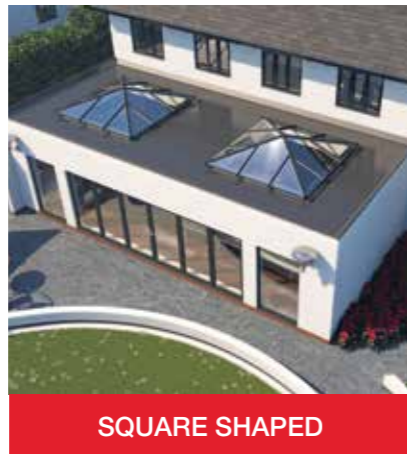
Skypod lantern roofs add height, light and volume to any living space. They are the perfect choice for a wide range of refurbishment, extension or new-build projects – including reception areas, classrooms, orangeries, kitchen-diners and garage conversion

Styles to suit *every home*

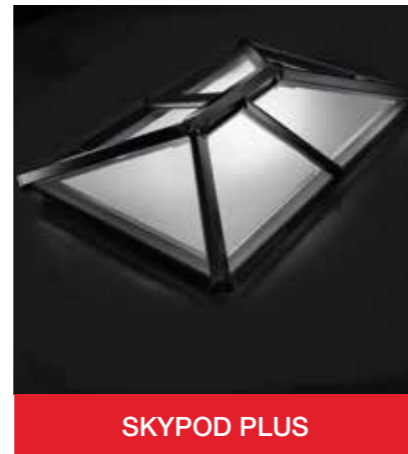
Skypod is available in a wide range of sizes and styles, so you can create a lantern roof that complements the individuality of your home. Skypod is suitable for a wide range of projects such as flat-roofed extensions, orangeries, new builds, kitchen-diners and garage conversions. Go large to create an impressive feature on your flat roof – maximising the natural light in your room.



SKYPOD

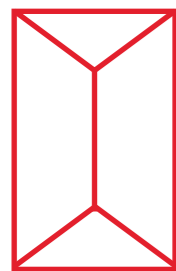


SQUARE SHAPED

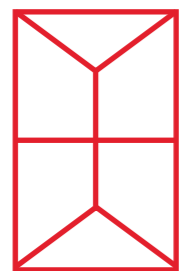


SKYPOD PLUS

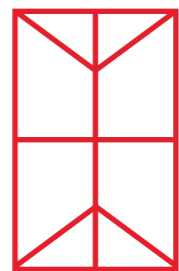
Choose your size and style



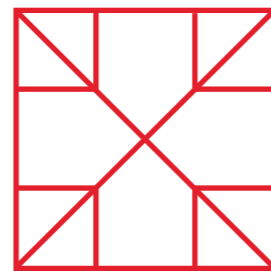
Up to 1.5m x 2.75m



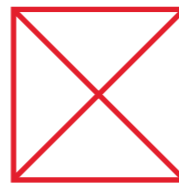
Up to 1.5m x 7.45m



Up to 2.75m x 8.7m



Up to 2.75m x 2.75m



Up to 1.5m x 1.5m

A perfect *square*

The alternative to a single span rectangular rooflight, our square lantern roof offers perfectly balanced sightlines and, thanks to its simple 4-hip design, higher levels of natural light than conventional designs of the same surface area. Because it can be produced in sizes right down to 0.5m x 0.5m, this means that even the smallest flat roofs can still benefit from day long natural light.



Skypod Lantern Roof square shaped in Anthracite Grey

Whatever the size, Skypod squares up

Whether you're looking for a small rooflight or large gazebo-style lantern roof, there's a solution for you. Our dedicated frame system means that rafter bars line-up perfectly, whatever the size.

Perfect for home extensions

Looking to extend? Make a stunning feature of a flat roof with Skypod.



Skypod Lantern Roofs square shaped with White interior

Looking to expand?

skypod plus

The easy way to add more

class to your glass roof

Skypod Plus has been designed with a premium frame that looks great, is high quality and easy to install.

Available in black, white and grey This sleek, modern lantern roof has been designed to meet the demands of design-conscious buyers.

If you want to let more natural light into your flat roof extension or garage conversion, but also want a contemporary design that works in harmony with your living space, then Skypod Plus is the perfect solution.



premium finish



Premium finish

Because we've used an aluminium frame and aluminium ridge and top rafter cappings, Skypod Plus offers a premium quality finish, for years of faithful service.

Multiple design options

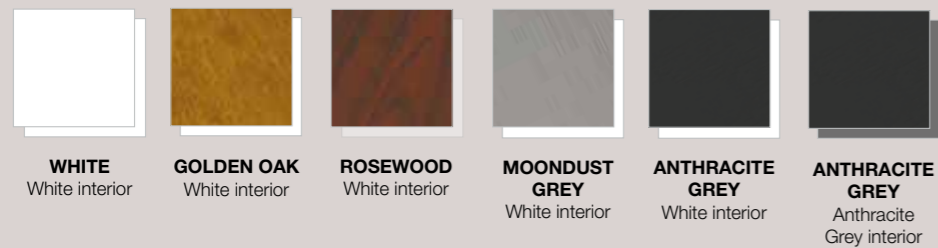
Eurocell Skypod Plus is available in a range of stylish options, helping you make light work of the most demanding design and installation requirements

COLOUR YOUR WORLD

Colour your world

with a choice of contemporary & traditional styles

Skypod frame colours



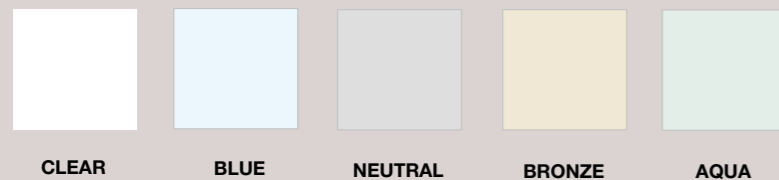
Skypod Plus frame colours



* BLACK AND GREY INTERNAL FINISHES ON SKYPOD PLUS ARE PRODUCED BY A SPRAYING PROCESS

Glass colours

Now you can create a lantern roof that complements the individuality of your home with our range of glass colours. Self-cleaning, temperature controlled glass is included as standard.



INSTALLATION

Skypod has been designed for fast, accurate, simple installation. Everything is pre-cut and all screw holes are pre-drilled.

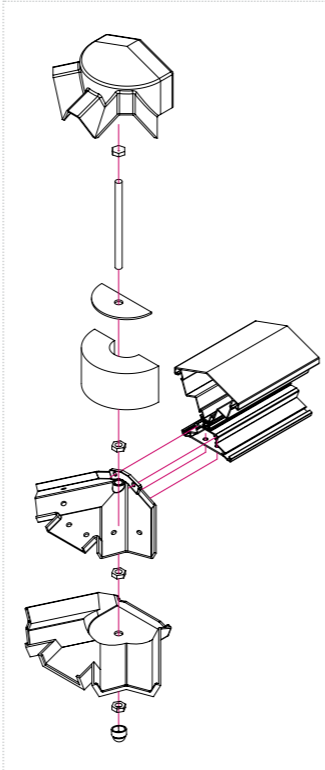
This ensures installers can provide a precision-fitted watertight lantern roof, while making the job as quick and easy as possible. What's more, the architectural design means there are no fussy ridge crestings or finials to fit, giving you the ultimate in clean sight-lines. A unique ridge end cover cap completes the sleek appearance.



SKYPOD TECHNICAL INFORMATION

Components

COMPONENTS



CRS 9240
Skypod
3-bar top cap

CRS 9241
Skypod
2-bar top cap

CRS 9242
Skypod Square
spider top cap

CRS 9423
Skypod Square
sealing plate

CRS 9521A
Skypod
3-bar spider bracket

CRS 9522A
Skypod
2-bar spider bracket

CRS 9523A
Skypod Square
spider bracket

CRS 9248
Skypod
3-bar bottom cap

CRS 9249
Skypod
2-bar bottom cap

CRS 9250
Skypod Square
spider bottom cap

Spider bracket
screws
CRS 8626S
CRS 9626S

CRS 9421
Skypod
foam bung

CRS 9422A
Skypod
foam bung sealing plate

CRS 9520A
Skypod
ridge body

CRS 8625
Single variable
support stud

CRS 8624
Double variable
support stud

CRS 9200
Skypod
screw cap covers

CRS 8501A
Standard rafter

CRS 8016
25mm
rafter top cap

CRS 8011
Rafter bottom cap

CRS 8502A
Edwardian hip

CRS 8017
25mm Edwardian
hip top cap

CRS 8012
Hip bottom cap

CRS 9550A
Skypod
eaves 20°

CRS 9552A
Skypod
thermally broken
eaves beam 20°

CRS 9934
Skypod
boss kit

CRS 8053
Eaves beam seal

CRS 8056
25mm
Glazing end trim

CRS 8024
24/25mm ridge
glazing trim

CRS 8654
90° eaves
beam cleat

CRS 9201
Skypod
rafter end cap

CRS 9202
Skypod
hip rafter end cap

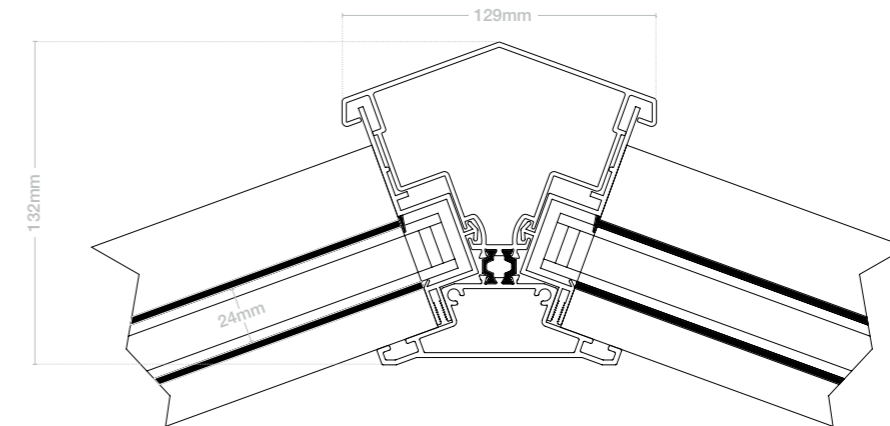
CRS 8211
Glazing stop
(CRS 8628 Glazing
stop screws)

CRS 9611S
Stainless steel
glazing stop
(CRS 8628 Glazing
stop screws)

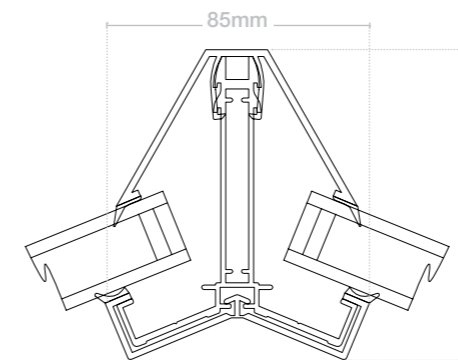
ASSEMBLIES

Ridge assembly

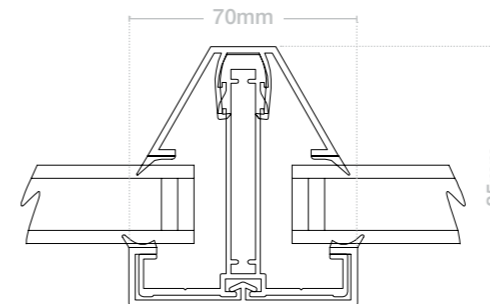
Powder-coated aluminium, thermally broken



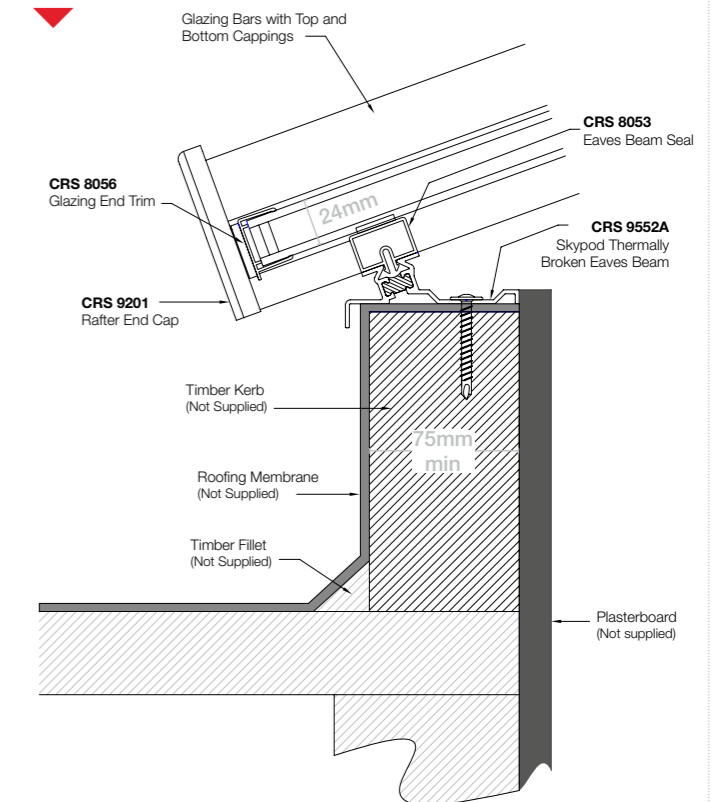
Hip assembly



Rafter assembly



Ring beam on kerb assembly

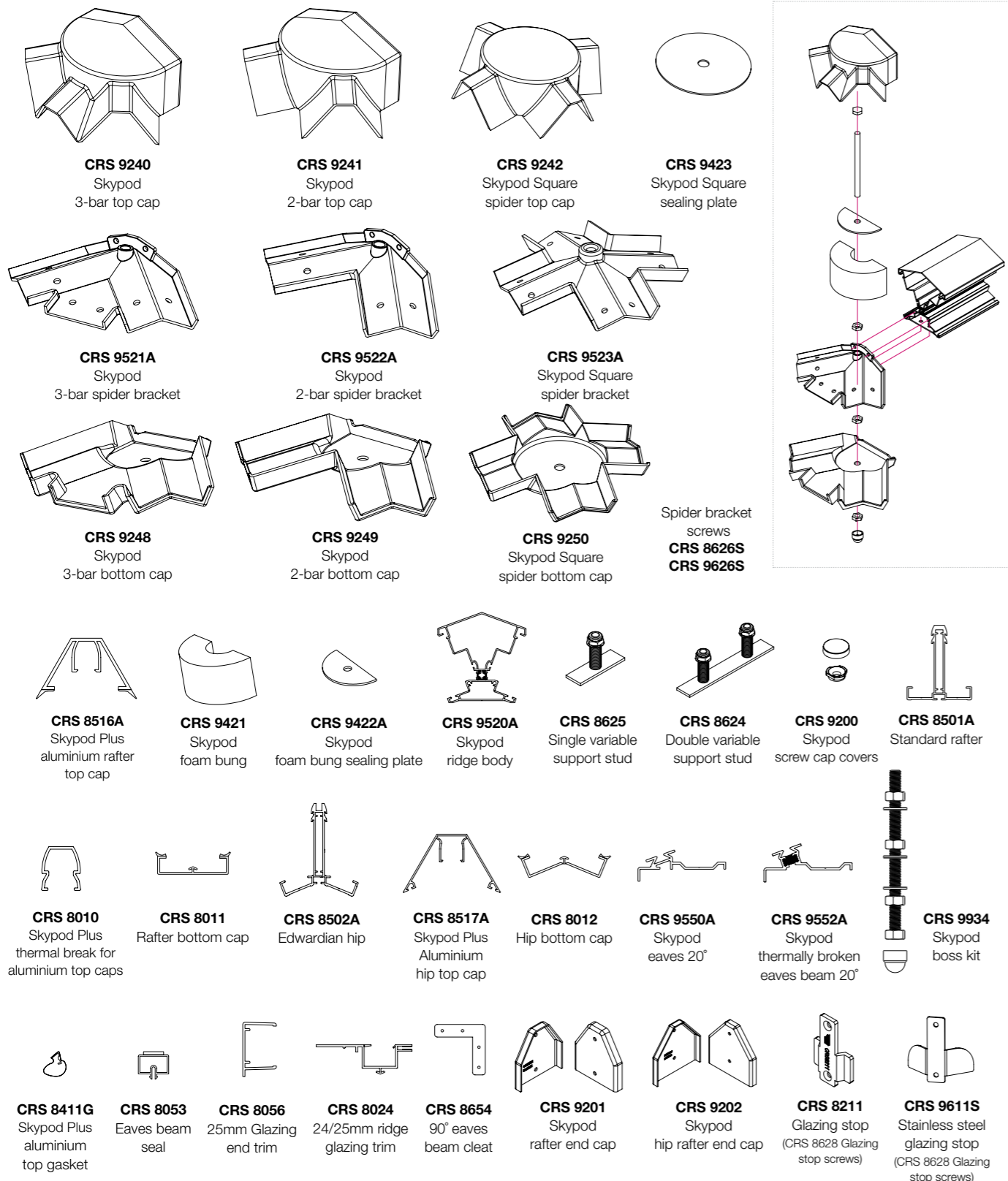


SKYPOD PLUS TECHNICAL INFORMATION

Components

skypod plus

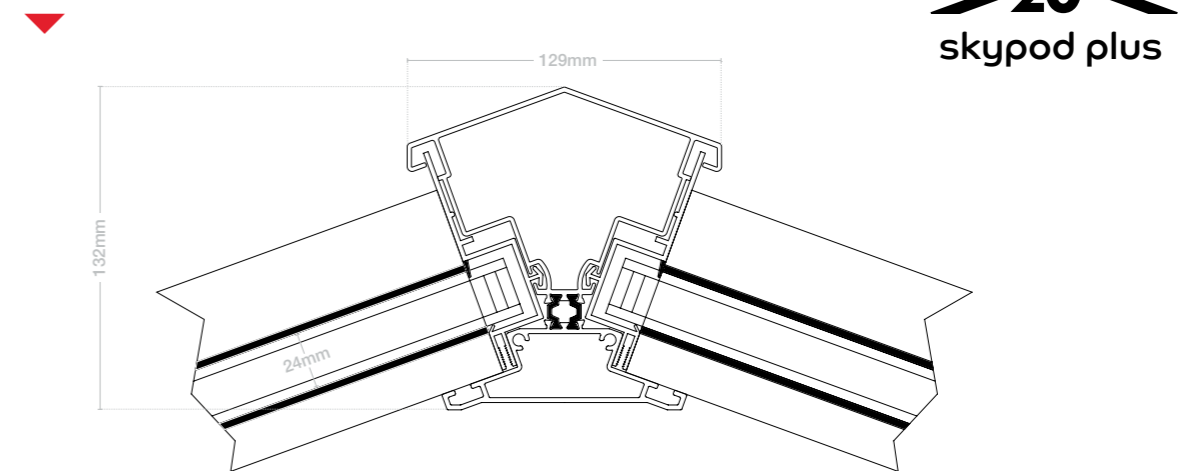
COMPONENTS



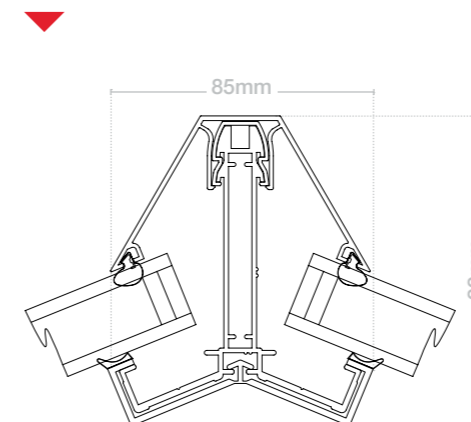
ASSEMBLIES

Ridge assembly

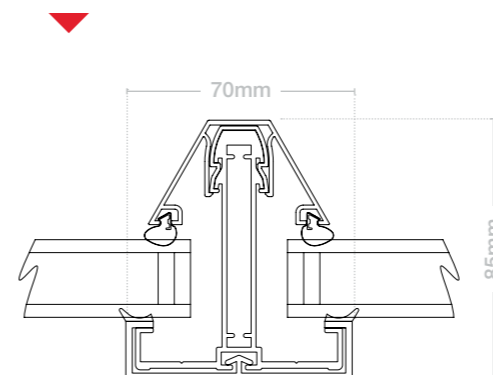
Powder-coated aluminium, thermally broken



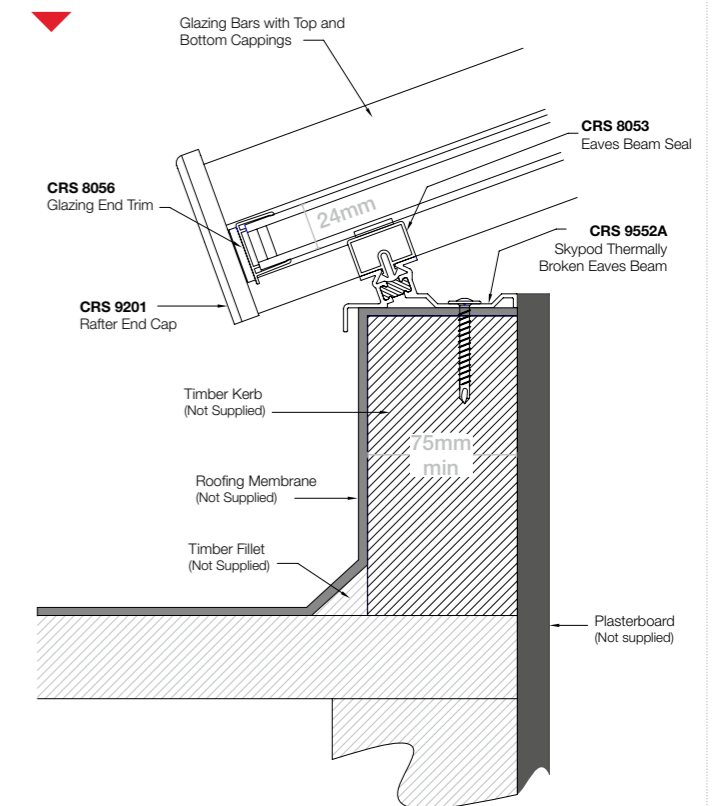
Hip assembly



Rafter assembly



Ring beam on kerb assembly



luma FLAT ROOFLIGHTS

Luma flat rooflights are elevated, fixed shut, flat roof windows with a sleek and contemporary look.

And, unlike roof lanterns, there are no bars across the glass to interrupt your view of the sky or cast shadows across your room.



They're the perfect way to flood your home with natural light. So, whether you're planning a new flat roof extension or want to breathe life into an existing one, adding Luma flat rooflights will totally transform the space.

At Eurocell, we believe you should never have to compromise on quality or performance when you make improvements to your home. That's why innovation is at the heart of our Luma flat rooflights. We've built-in exclusive, market-leading features that come as standard to bring you a premium-quality product that performs excellently.

flat roof option



Thermally broken and glazing options

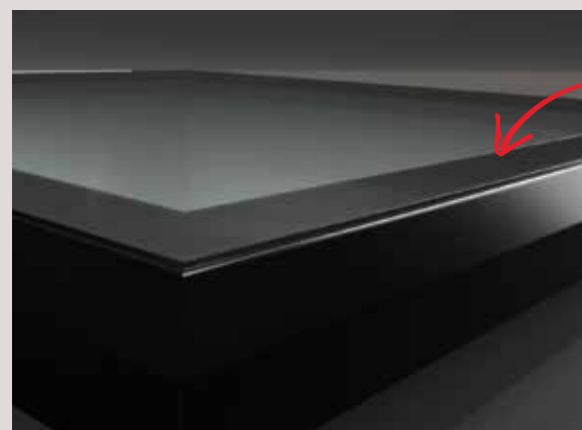
for excellent energy efficiency

Luma's aluminium frame has an integrated thermal break, which reduces heat transfer. And it's available in double-glazed and triple-glazed options, with U-values of 1.3 W/m²K for double and 0.92 W/m²K for triple-glazed. So, you'll stay cool in summer and warm in winter and save money on energy bills.



✓ **Tinted laminated glass options**
Luma is available with either neutral, clear or blue tinted glass. Tinted glass still allows the light to flood in but reduces uncomfortable glare when the sun hits the glass.

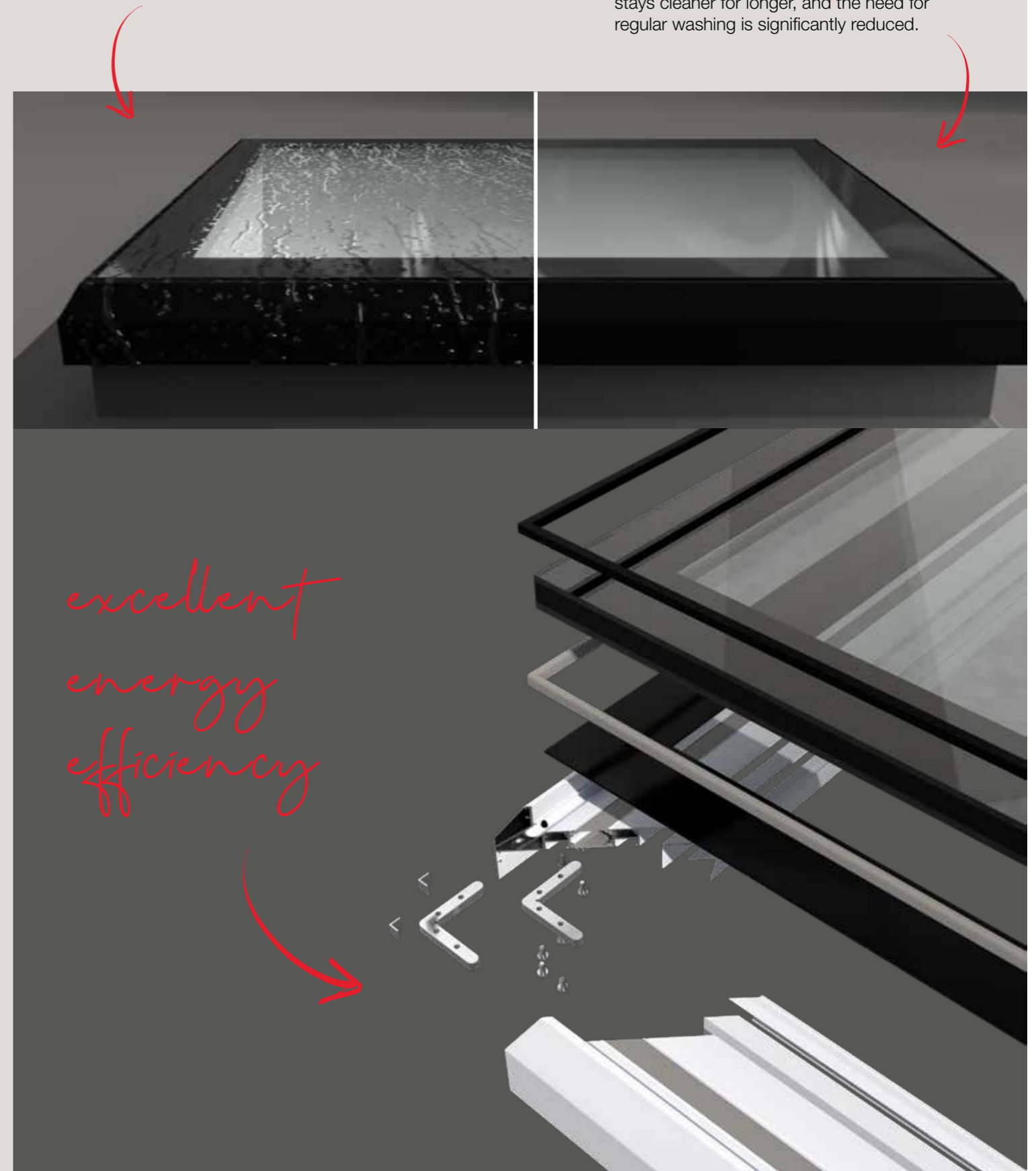
✓ **Secured from the inside**
Interior fixings allow Luma to be secured internally for an added layer of security.



✓ **Slimline modern profile with sleek seamless glazing** Exclusive to Luma
Luma's sleek aluminium frame and unique glazing tape mean there are no chunky frames or painted borders. And there are no bars across the glass to impede your view either. The inside is beautifully finished with a PVC plasterboard trim. The result is minimal framework and maximum daylight.

✓ **Integral drainage system**
The outer frame includes a unique drainage system that allows moisture to drain away outside for added reassurance.

✓ **High performance self-cleaning glass**
Luma features self-cleaning glass. It has a special coating that uses UV rays to break down organic matter on the surface, which then washes away when it rains. So, the glass stays cleaner for longer, and the need for regular washing is significantly reduced.



excellent energy efficiency

COLOUR YOUR WORLD

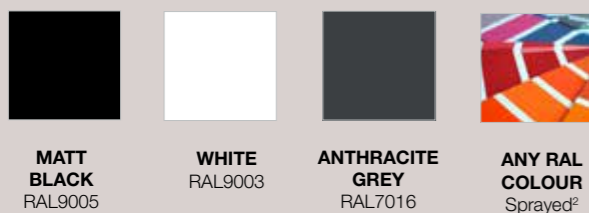
Available in

square and rectangular designs

Luma flat rooflights are made to measure, allowing you to create a rooflight that perfectly fits your space and style. Square designs range from 500 x 500mm to 1400 x 1400mm, and rectangular designs from 500mm wide up to 3000mm projection.¹

Add just one rooflight, or consider adding two or more for a large extension. Luma flat rooflights are suitable for many projects, such as existing or new flat roof extensions, garage conversions, new builds and even garden rooms.

Frame colours



Glass options



As an upgrade to the glass you can have ceramic boarder adding, this really gives a premium finish as it conceals the frame inside and gives a crisp black board around the Luma.

Weather-resistant powder-coated frame

Luma is built to withstand everything the British weather can throw at it. Its aluminium frame is powder coated to Qualicoat Seaside standards for durability and has a UV-resistant, weather-tight seal. It also comes in a choice of finishes to complement your home. Opt for a standard Matt Black, White or Anthracite Grey frame or choose from a range of painted colour options.²



1. Subject to maximum glass area of: Double (with ceramic) 2.5m sq. Triple (with ceramic) 2.5m sq. Double (without ceramic) 3.5m sq. Triple (without ceramic) 2.85m sq. May also be subject to Eurocell's handling restrictions.
2. Extended lead times apply.
3. Installation at 5° pitch is recommended.

Future Homes Ready

Building Regulations are changing. In 2025 a new Future Homes Standard will be introduced, which requires all new homes to be future-proofed with low-carbon heating and world-leading levels of energy efficiency. So, we've designed Luma flat rooflights to be Building Regulations compliant. Not just for now but for the future too.

Are you an

installer?

Easy to install and delivered straight to site

Luma flat rooflights are made to order in our factory, then delivered straight to site. They're easy to install, helping you complete the job quickly, with no fuss and no mess.

Our service promise to you

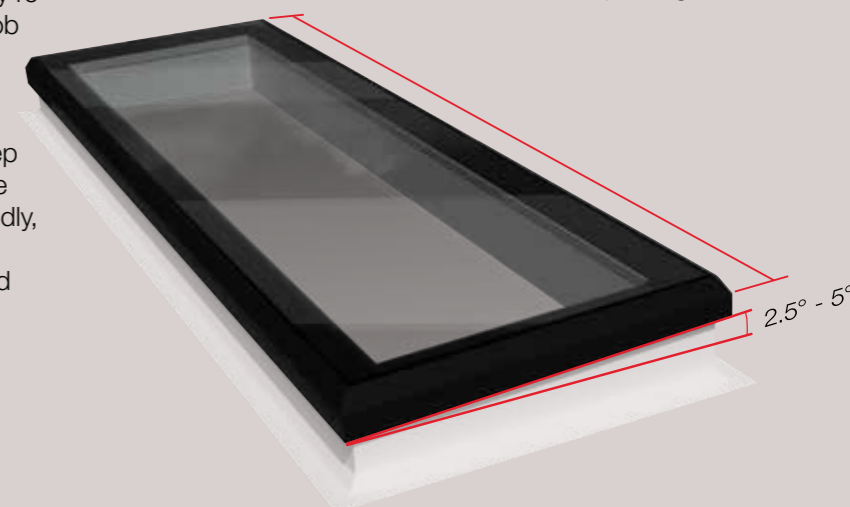
We know how important it is to you to keep your customers happy. That's why we take great pride in consistently providing a friendly, approachable service to make finding and getting what you and your customers need quick and easy.

Made-to-measure

Can be sized from 500 x 500mm up to 1400 x 3000mm.¹ Ask us for a quote.

2-5° installation pitch

Flexible installation options to minimise pooling of water.³



Here's how we help:



Quotes in under 1 hour

There's no waiting around. Just call, drop us an email or fill in the contact form on our website to request a quote, and we'll respond within an hour.⁴



Lead times to suit you

Tell us when you need the products to be on site, and we'll ensure they're there at the right time.



Order checking

Our orders are thoroughly checked prior to delivery, allowing you to get on with installing Luma right away.



Technical support line

Luma flat rooflights are easy to install, but if you need help, our expert technical team are just a phone call away.

3. Installation at 5° pitch is recommended
4. Applies within normal office working hours: Mon-Fri 8.30 - 17.00

Our high quality

standards

Eurocell plc is the UK's leading manufacturer, distributor and recycler of PVC window, door, conservatory and roofline systems, offering the widest product range of any single brand.

- ✓ All Eurocell products are manufactured to stringent specifications in a carefully controlled environment where high standards can be maintained and guaranteed. To give customers the assurance that all Eurocell products meet the highest standards, we have achieved accreditations from leading UK certification bodies.
- ✓ Eurocell products meet the requirements of current Building Regulations, and exceed the standards set out in Part L1 and 2 Conservation of Fuel & Power (Windows).
- ✓ As new regulations are introduced, Eurocell remains committed to meeting and exceeding these ever more demanding standards, so that we continue to set the quality benchmark for the building plastics industry.



Peace of mind

included as standard



10-years guarantee
on skypod
lantern roof profile



10-years guarantee
on luma
laminated rigid
PVC-U products



10-years guarantee
on the glass



eurocell.co.uk


**MADE & RECYCLED
IN THE UK**

eurocell

Product specification is subject to change without notification.
Please also note that colours shown are illustrative only, as the printing
process does not allow 100% accurate colours to be reproduced.

LANTROOF | EU00732 Is1/APR24